

Revisions

#	Change	Date

Architect: _____
 Engineer: _____
 Contractor: _____
 Designed by: _____
 Software by: _____
 Checked by: _____

North Pointe GCM / 0100

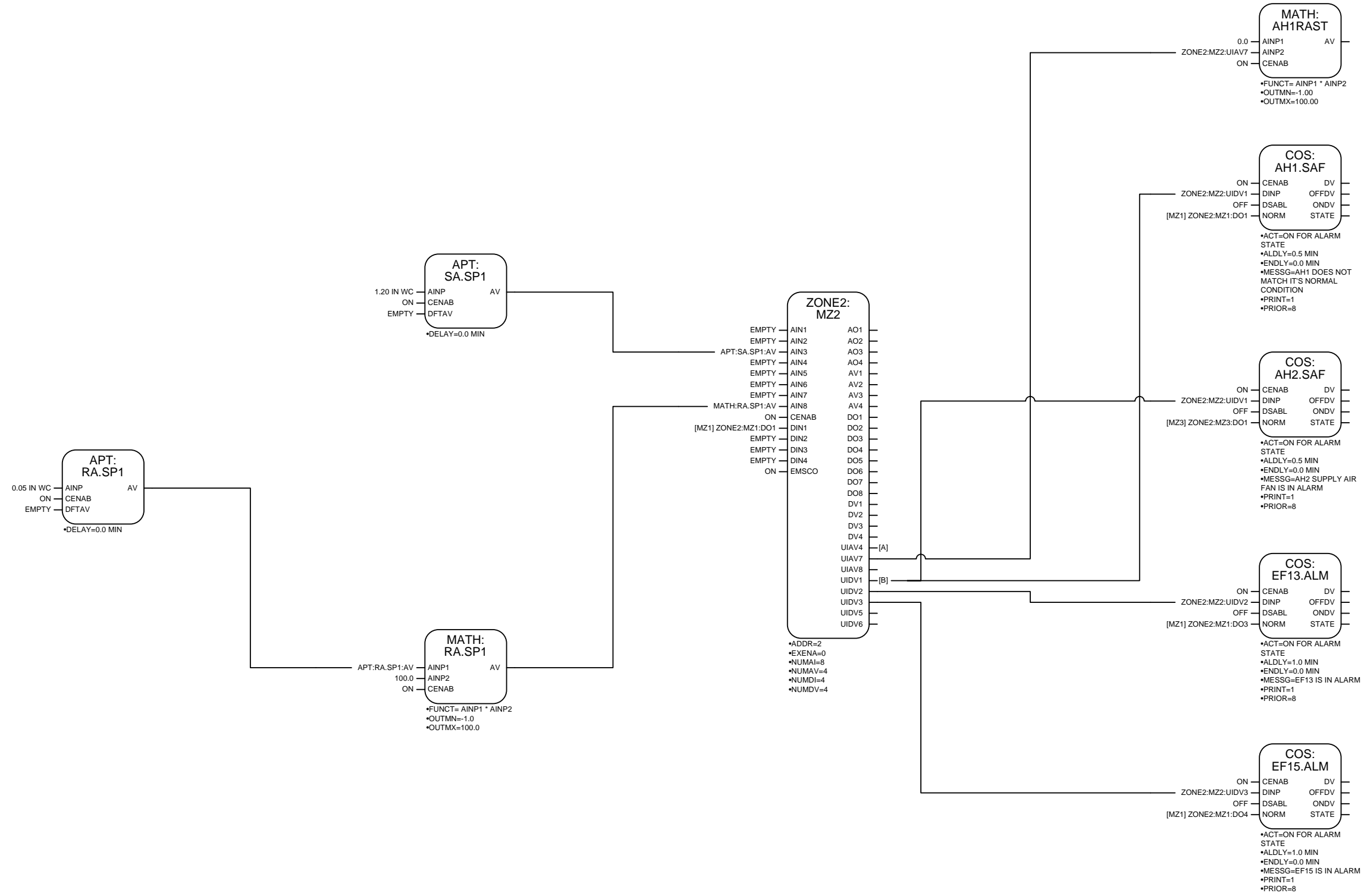
ZONE2.MZ1

JOB NUMBER

FILE NAME
NorthPointe.gcm

SHEET NO.
77 OF 94

- A To: LOGIC:AH1.S/S.DV
[V1-1] MNFLO.V1-1.EOCCM
[V1-10] MNFLO.V1-10.EOCCM
[V1-11] MNFLO.V1-11.EOCCM
[V1-12] MNFLO.V1-12.EOCCM
[V1-13] MNFLO.V1-13.EOCCM
[V1-14] MNFLO.V1-14.EOCCM
[V1-15] MNFLO.V1-15.EOCCM
[V1-16] MNFLO.V1-16.EOCCM
[V1-17] MNFLO.V1-17.EOCCM
[V1-18] MNFLO.V1-18.EOCCM
[V1-19] MNFLO.V1-19.EOCCM
[V1-20] MNFLO.V1-20.EOCCM
[V1-21] MNFLO.V1-21.EOCCM
[V1-22] MNFLO.V1-22.EOCCM
[V1-23] MNFLO.V1-23.EOCCM
[V1-24] MNFLO.V1-24.EOCCM
[V1-25] MNFLO.V1-25.EOCCM
[V1-26] MNFLO.V1-26.EOCCM
[V1-27] MNFLO.V1-27.EOCCM
[V1-28] MNFLO.V1-28.EOCCM
[V1-29] MNFLO.V1-29.EOCCM
[V1-30] MNFLO.V1-30.EOCCM
[V1-31] MNFLO.V1-31.EOCCM
[V1-32] MNFLO.V1-32.EOCCM
[V1-33] MNFLO.V1-33.EOCCM
[V1-34] MNFLO.V1-34.EOCCM
[V1-35] MNFLO.V1-35.EOCCM
[V1-36] MNFLO.V1-36.EOCCM
[V1-37] MNFLO.V1-37.EOCCM
[V1-38] MNFLO.V1-38.EOCCM
[V1-39] MNFLO.V1-39.EOCCM
[V1-40] MNFLO.V1-40.EOCCM
[V1-41] MNFLO.V1-41.EOCCM
[V1-42] MNFLO.V1-42.EOCCM
[V1-43] MNFLO.V1-43.EOCCM
[V1-44] MNFLO.V1-44.EOCCM
[V1-45] MNFLO.V1-45.EOCCM
[V1-46] MNFLO.V1-46.EOCCM
[V1-47] MNFLO.V1-47.EOCCM
[V1-48] MNFLO.V1-48.EOCCM
[V1-49] MNFLO.V1-49.EOCCM
[V1-50] MNFLO.V1-50.EOCCM
- B To: TSTAT:ECONLOCK.DV
[M2] LOGIC:ECONAHU2.DINP1
[M2] LOGIC:ECONAHU3.DINP1
- C To: HOLI:HOLIDAY.DV
[M2] OSS:AH1.HOSCH
[M2] OSS:AH2.HOSCH
[M2] OSS:AH3.HOSCH
[M2] OSS:AH4.HOSCH
[M2] OSS:AH5.HOSCH
[M2] OSS:AH6.HOSCH
- D To: ZONE2.MZ1.D01
[M2] ZONE2.MZ1.DIN1
[M2] COS:AH1.SAF.NORM
- E To: ZONE2.MZ1.D03
[M2] COS:EF13.ALM.NORM
- F To: ZONE2.MZ1.D04
[M2] COS:EF15.ALM.NORM
- G To: SLECT:OAT.CHG.AV
[M2] OSS:AH7.SP
[M2] OSS:AH2.SP
[M2] OSS:AH3.SP
[M2] OSS:AH4.SP
[M2] OSS:AH5.SP
[M2] OSS:AH6.SP



A To: ZONE2:MZ2:UIAV4
[MZ13] ZONE2:MZ13:AIN2

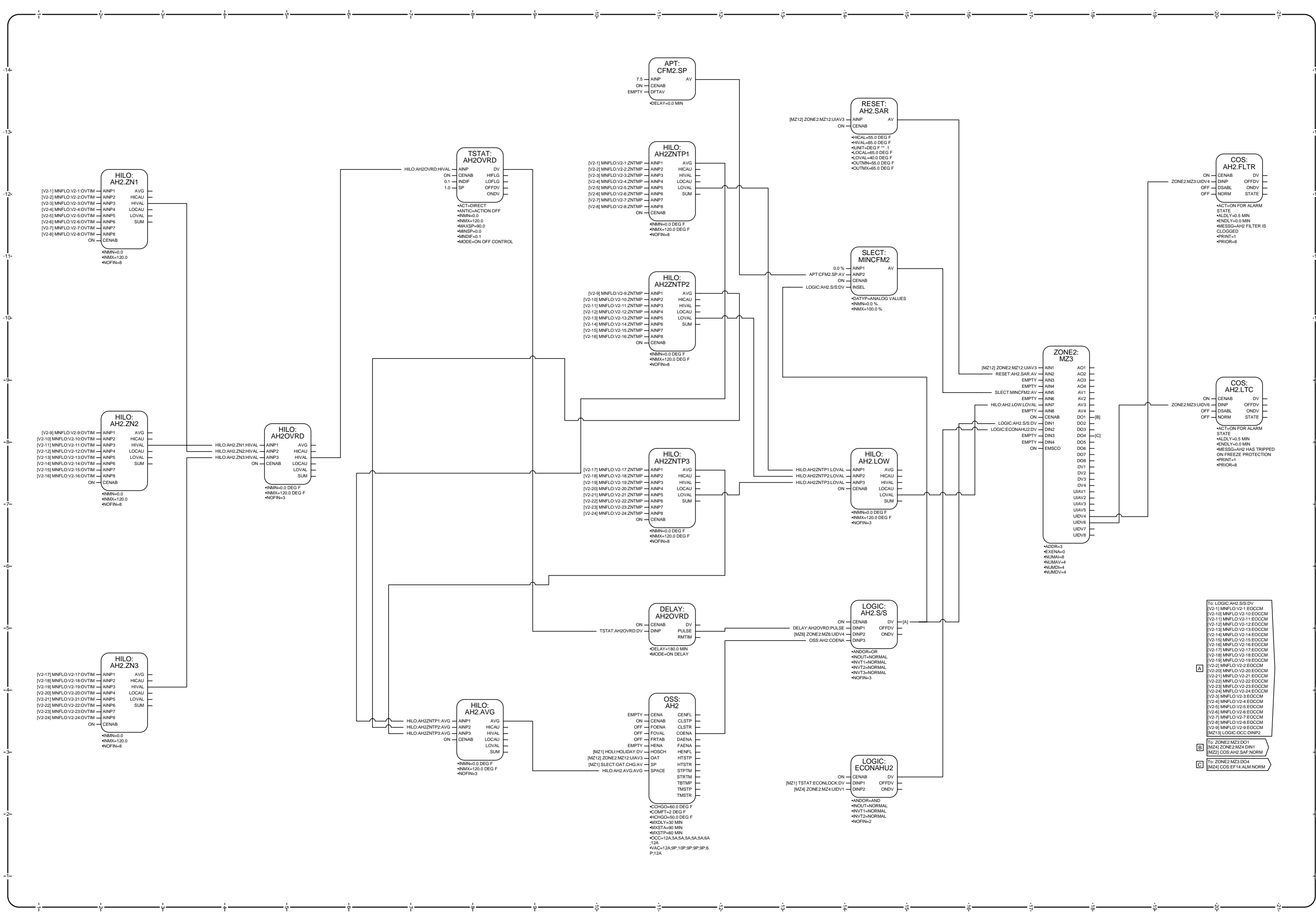
B To: ZONE2:MZ2:UIDV1
[MZ1] LOGIC:ECONAHU1:DINP2

Revisions	
#	Date:

Architect: _____ Date: _____
 Engineer: _____ Date: _____
 Contractor: _____ Date: _____
 Designed by: _____
 Software by: _____
 Checked by: _____

North Pointe GCM / 0100
 ZONE2:MZ2

JOB NUMBER
 FILE NAME
 NorthPointe.tbk
 SHEET NO.
 78 OF 94



Revisions

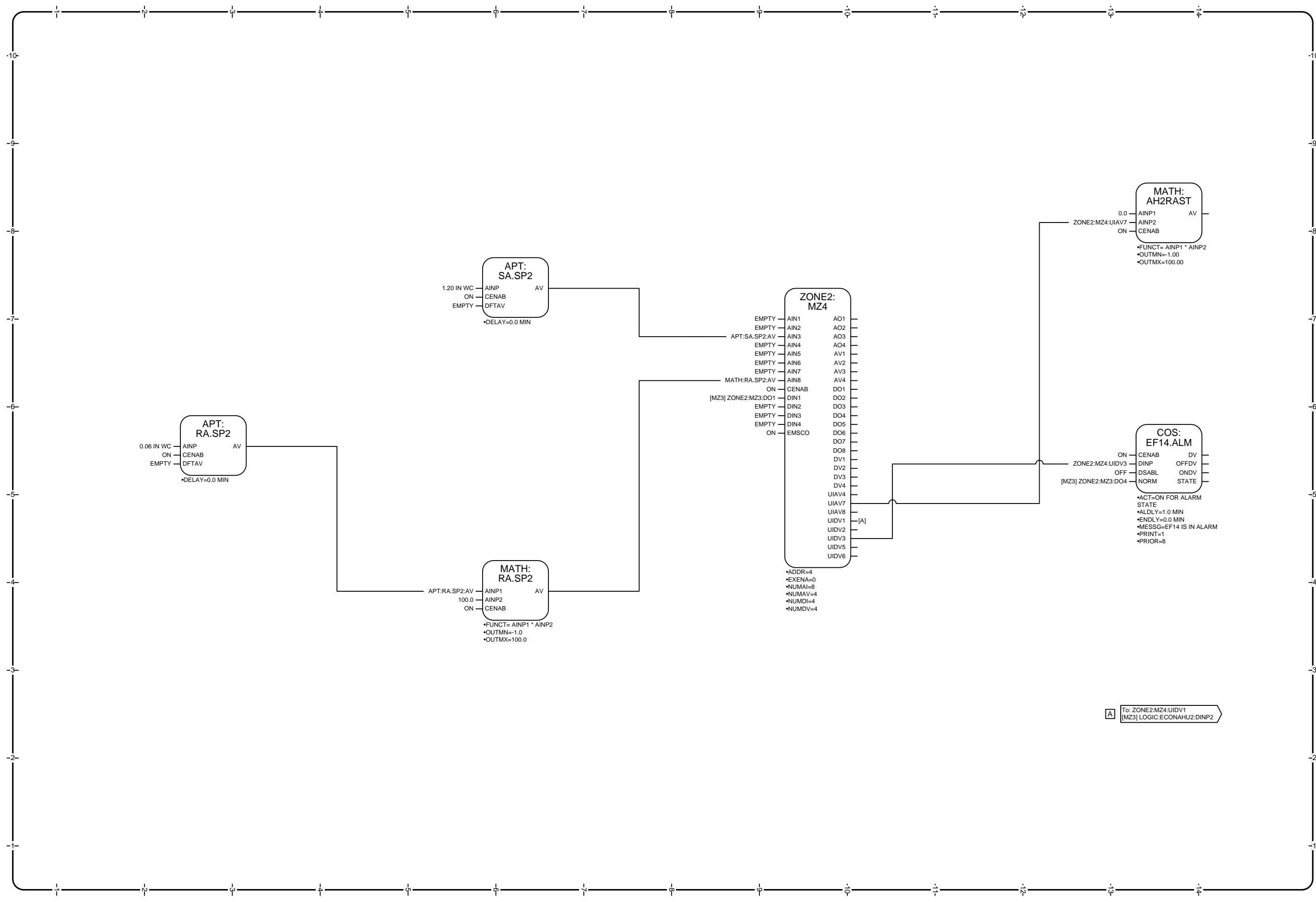
#	Change	Date

Architect: _____
 Engineer: _____
 Contractor: _____
 Designed by: _____
 Software by: _____
 Checked by: _____

North Pointe GCM / 0100
 ZONE2.MZ3

JOB NUMBER
 FILE NAME
 NorthPointeGCM
 SHEET NO.
 79 OF 94

- A To: LOGIC.AH2.S/S.DV
 [V2-1] MNFLO.V2-1.EOCCM
 [V2-10] MNFLO.V2-10.EOCCM
 [V2-11] MNFLO.V2-11.EOCCM
 [V2-12] MNFLO.V2-12.EOCCM
 [V2-13] MNFLO.V2-13.EOCCM
 [V2-14] MNFLO.V2-14.EOCCM
 [V2-15] MNFLO.V2-15.EOCCM
 [V2-16] MNFLO.V2-16.EOCCM
 [V2-17] MNFLO.V2-17.EOCCM
 [V2-18] MNFLO.V2-18.EOCCM
 [V2-19] MNFLO.V2-19.EOCCM
 [V2-20] MNFLO.V2-20.EOCCM
 [V2-21] MNFLO.V2-21.EOCCM
 [V2-22] MNFLO.V2-22.EOCCM
 [V2-23] MNFLO.V2-23.EOCCM
 [V2-24] MNFLO.V2-24.EOCCM
 [V2-3] MNFLO.V2-3.EOCCM
 [V2-4] MNFLO.V2-4.EOCCM
 [V2-5] MNFLO.V2-5.EOCCM
 [V2-6] MNFLO.V2-6.EOCCM
 [V2-7] MNFLO.V2-7.EOCCM
 [V2-8] MNFLO.V2-8.EOCCM
 [V2-9] MNFLO.V2-9.EOCCM
 [MZ1-3] LOGIC.OCC.DINP2
- B To: ZONE2.MZ3.D01
 [MZ2] ZONE2.MZ3.D01
 [MZ2] COS.AH2.SAF.NORM
- C To: ZONE2.MZ3.D04
 [MZ4] COS.EF14.AL.M.NORM



Revisions	
#	Date:
1	
2	
3	
4	
5	
6	
7	
8	
9	
10	

Architect: _____ Date: _____
 Engineer: _____ Date: _____
 Contractor: _____ Date: _____
 Designed by: _____
 Software by: _____
 Checked by: _____

North Pointe GCM / 0100
 ZONE2:MZ4

JOB NUMBER
 FILE NAME
 NorthPointe.tbk
 SHEET NO.
 80 OF 94

[A] To: ZONE2:MZ4:UIDV1
 [MZ3] LOGIC:ECONAHU2:DINP2